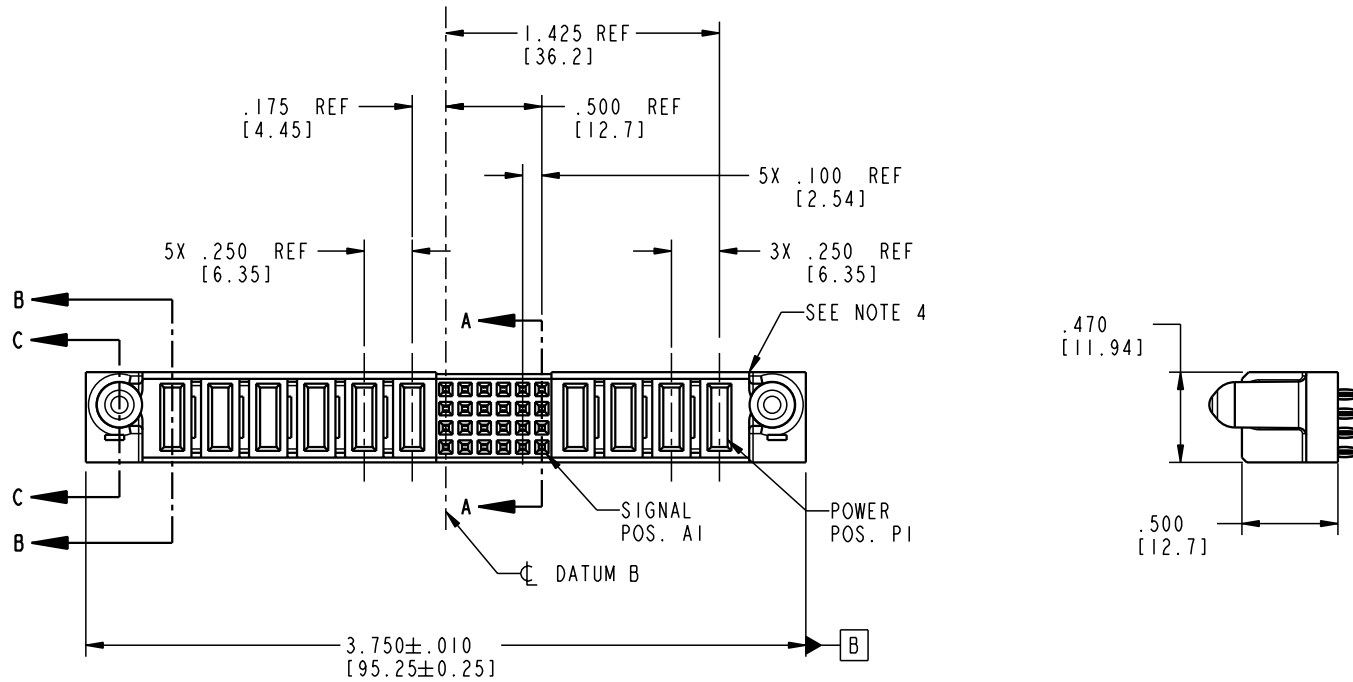


Tous droits strictement réservés. Reproduction ou communication o des liens interdite sous quelque forme que ce soit sans autorisation écrite du propriétaire. Propriété de c FCI. Droits de reproduction FCI.

All rights strictly reserved. Reproduction or issue to third parties in any form, whomever is not permitted without written authority from the proprietor. Property of FCI. Copyright FCI.



PRODUCT NO.	ROWS	POWER						SIGNAL					POWER				E1		
		E2	P10	P9	P8	P7	P6	P5	6	5	4	3	2	1	P4	P3		P2	P1
51740-10402406CC	D C B A		PC	PC	PC	PC	PC	PC	F	F	F	F	F	F	PC	PC	PC	PC	



CODE	DIM "M" MATING LENGTH	CONTACT TYPE
F	N/A [N/A]	SIGNAL
PC	.042 [1.07]	POWER

mat'l code				SEE NOTE 2		tolerances unless otherwise specified		CUSTOMER		 www.fciconnect.com	
ltr	ecn no.	dr	date	linear	.XX ± .01/0.X ± 0.3		COPY		title		
A	V10154	JRW	01/22/01		.XXX ± .005/0.XXX ± 0.13		projection		4P + 24S + 6P		
B	V21310	CGD	08/08/02		.XXX ± .0020/0.XXX ± 0.051				VERTICAL PRESS FIT RECEIPT		
				angles	0° ± 2°		INCH/MM		product family		code
				dr	C. DAILY	08/08/02	scale		PwrBlade		213
				engr	M. MOSTOLLER	08/08/02	1:1		size		sheet
				chr	M. MOSTOLLER	08/08/02			dwg no		1 of 4
				appd	M. MOSTOLLER	08/08/02			A 51740-10402406CC		
sheet index	revision sheet	B 1	B 2	B 3	B 4						

cage code 22526

Pro/E

PDM: Rev:B

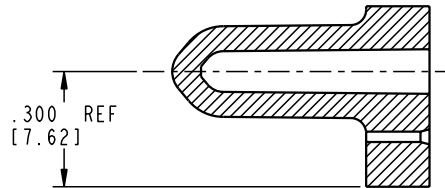
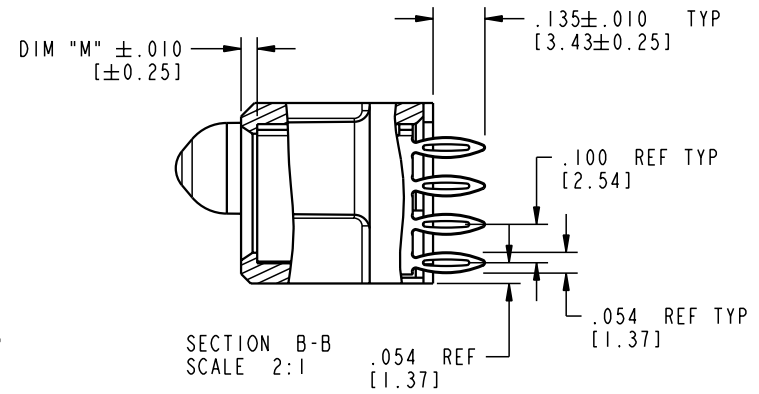
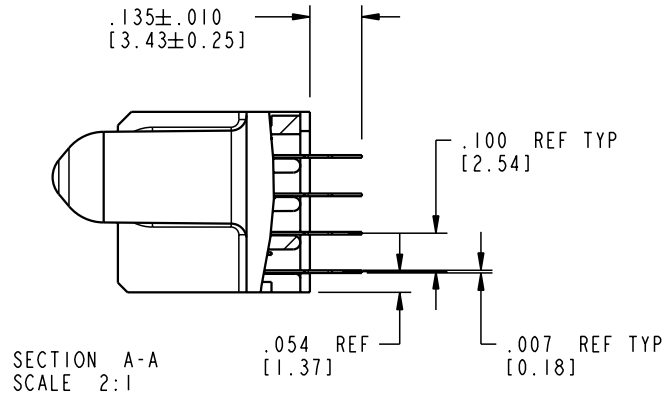
STATUS: Released

Printed: Aug 14, 2007

Tous droits strictement réservés. Reproduction ou communication o des tiers interdite sous quelque forme que ce soit sans autorisation écrite du propriétaire. Propriete de c FCI. Droits de reproduction FCI.

All rights strictly reserved. Reproduction or issue to third parties in any form, whatever is not permitted without written authority from the proprietor. Property of FCI. Copyright FCI.

PRODUCT NUMBER  
51740-10402406CC



SECTION C-C  
SCALE 2:1

mat'l code				SEE NOTE 2		tolerances unless otherwise specified		CUSTOMER		 www.fciconnect.com	
ltr	ecn no.	dr	date	linear	.XX±.01/0.X±0.3		COPY		title		
B					.XXX±.005/0.XX±0.13		projection		4P + 24S + 6P		
				angles	.XXX±.0020/0.XXX±0.051				VERTICAL PRESS FIT RECEIPT		
				dr	C. DAILY	08/08/02	INCH/MM		product family		code
				enr	M. MOSTOLLER	08/08/02			PwrBlade		213
				chr	M. MOSTOLLER	08/08/02	scale		size		sheet
				appd	M. MOSTOLLER	08/08/02	1:1		A 51740-10402406CC		2 of 4
sheet index		revision sheet									

Pro/E

cage code 22526

PDM: Rev:B

STATUS: Released

Printed: Aug 14, 2007

Tous droits strictement réservés. Reproduction ou communication o des tiers interdite sous quelque forme que ce soit sans autorisation écrite du propriétaire. Propriété de c FCI. Droits de reproduction FCI.

**A**  
**FCI**

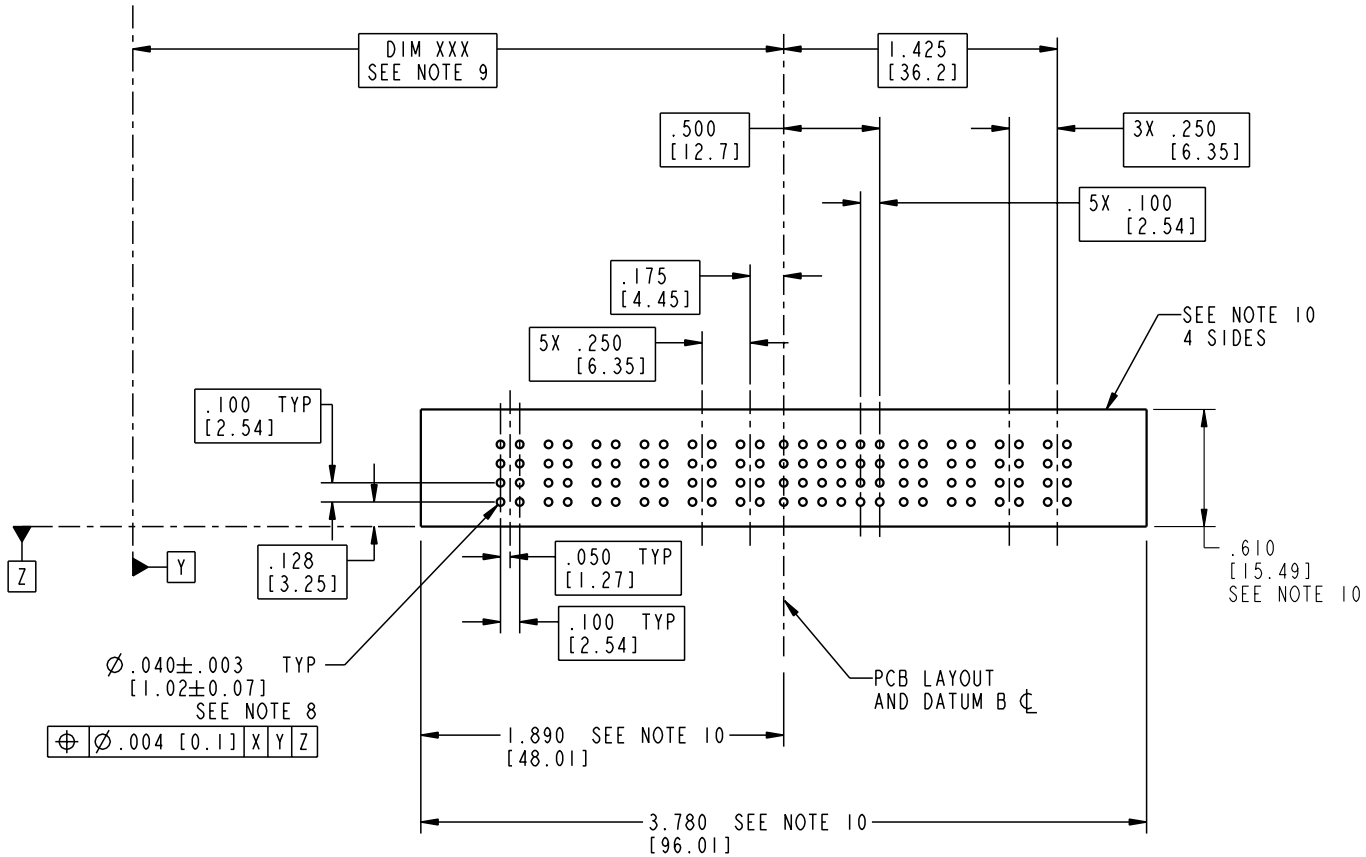
All rights strictly reserved. Reproduction or issue to third parties in any form, whatever is not permitted without written authority from the proprietor. Property of FCI. Copyright FCI.

**A**

**FCI**

**B**

PRODUCT NUMBER  
51740-10402406CC



**A**

**FCI**

**B**

mat'l code				SEE NOTE 2		tolerances unless otherwise specified		CUSTOMER		 www.fciconnect.com	
ltr	ecn no.	dr	date	linear	.XX±.01/0.X±0.3	projection		COPY		title	
B				angles	.XXX±.005/0.XX±0.13					4P + 24S + 6P	
				dr	.XXX±.0020/0.XXX±0.051					VERTICAL PRESS FIT RECEIPT	
				enr	0° ± 2°	INCH/MM		product family		code	
				chr	C. DAILY 08/08/02	scale		PwrBlade		213	
				appd	M. MOSTOLLER 08/08/02	1:1		size		sheet	
					M. MOSTOLLER 08/08/02			A 51740-10402406CC		3 of 4	
sheet index	revision sheet										

Pro/E

cage code 22526

**PDM: Rev:B**

STATUS: **Released**

Printed: Aug 14, 2007

Tous droits strictement réservés. Reproduction ou communication o des tiers interdite sous quelque forme que ce soit sans autorisation écrite du propriétaire. Propriété de c FCI. Droits de reproduction FCI.



All rights strictly reserved. Reproduction or issue to third parties in any form, whenever is not permitted without written authority from the proprietor. Property of FCI. Copyright FCI.

PRODUCT NUMBER  
51740-10402406CC

NOTES:

1. DIMENSIONS AND TOLERANCES ARE IN ACCORDANCE WITH ASME Y14.5M, 1994 UNLESS OTHERWISE SPECIFIED.

CONNECTOR NOTES:

- 2 HOUSING MATERIAL: UL 94 V-0 GLASS FILLED  
HIGH-TEMP THERMOPLASTIC  
POWER CONTACT MATERIAL: COPPER ALLOY  
SIGNAL PIN MATERIAL: COPPER ALLOY
- 3. PLATING:  
SIGNAL PINS: 30u"/0.76um Au OVER 50u"/1.27um Ni  
POWER CONTACTS: 50u"/1.27um Ni UNDER ALL  
WITH 30u"/0.76um Au ON CONTACT AREA  
AND SnPb ON PCB INTERFACE

4 MANUFACTURER'S NAME, P/N, AND DATE CODE TO APPEAR ON THIS SURFACE.

5. PRODUCT SPECIFICATION GS-12-149.  
APPLICATION SPECIFICATION BUS-20-067.

PCB NOTES:

- 6. ALL HOLE DIAMETERS ARE FINISHED HOLE SIZE.
- 7. MOUNTING HOLES, WHERE APPLICABLE, ARE UNPLATED.

8  $\varnothing .0453 \pm .0010$  [1.151 ± 0.025] DRILLED HOLES PLATED WITH  
.0003 [0.008] MIN SnPb OVER .001 [0.03]  
TO .003 [0.08] Cu PLATING TO ACHIEVE  
 $\varnothing .040 \pm .003$  [1.02 ± .07] HOLE.

9 "DIM XXX" TO BE DETERMINED BY THE CUSTOMER.

10 CONNECTOR KEEP-OUT ZONE.

mat'l code				SEE NOTE 2		tolerances unless otherwise specified		CUSTOMER		www.fciconnect.com	
ltr	ecn no.	dr	date	linear	.XX±.01/0.X±0.3		COPY				
B					.XXX±.005/0.XX±0.13		INCH/MM				
				angles	.XXX±.0020/0.XXX±0.051		scale		title 4P + 24S + 6P VERTICAL PRESS FIT RECEIPT		
				dr	C. DAILY	08/08/02	1:1		product family PwrBlade		code
				enr	M. MOSTOLLER	08/08/02			size	dwg no	213
				chr	M. MOSTOLLER	08/08/02			A	51740-10402406CC	sheet
				appd	M. MOSTOLLER	08/08/02					4 of 4
sheet index	revision sheet										

1 | 2

Pro/E

3 |

cage code 22526

4